



Advance Step Podiatry



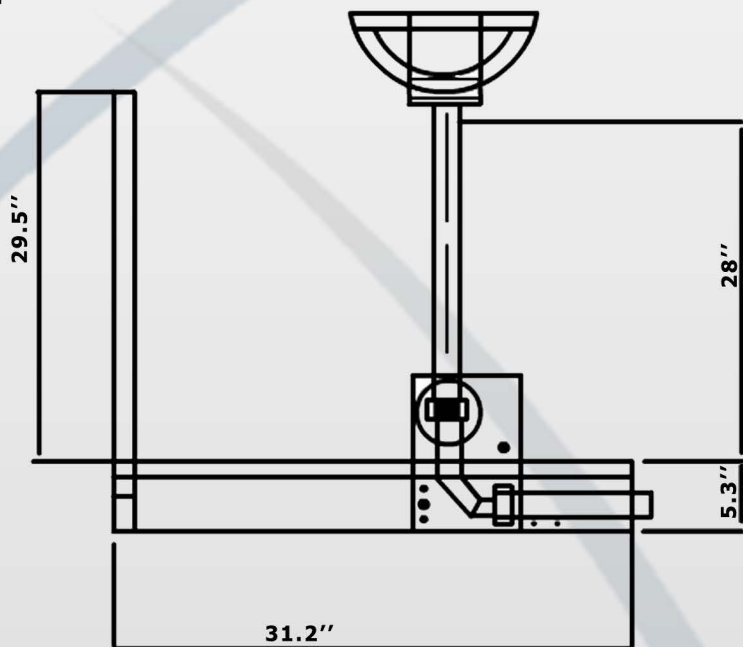
Features:

- 90kV max, 15mA high frequency generator
- Minimize exposure time
- Clear images for any patient
- Push button controlled digital display
- Four programmable settings
- 12ft remote hand switch cord
- Input voltage: 110VAC



Stand:

- Fixed 28" vertical and horizontal SID
- 5.5" platform height
- 29.5" platform length
- 23.5" platform width
- 29.5" hand rail height
- Requires a 32" x 52" space for full operation
- 400lbs weight support
- Assembles in minutes
- Highly durable finish



*Digital options available

JPI Healthcare Solutions Inc.
52 Newtown Plaza Plainview NY 11803
Toll Free: 888-574-2001
Tel: 516-513-1330
Fax: 516-513-1331
www.jpichealthcare.com

Authorized Dealer